

PLANTER ADJUSTMENT HINTS!

(Refer to diagrams on page 2)

1. TOOL BAR LEVELNESS —

The main tool bar must run level to slightly higher in front than in the rear of the bar. This also must be checked when the tractor and planter are moving forward in the field. The tractor may sink into the soil further than the planter causing the tool bar to be lower in front than in the rear of the bar.

NOTE: If tool bar is hard to see, check bolts that connect parallel linkage to planter row unit. The 2 bolts must be plumb (straight up and down). The top bolt should never be ahead of the lower bolt, if anything, the top bolt should be slightly behind the bottom bolt.



2. TOOL BAR HEIGHT —

The main tool bar of the planter needs to be 20" - 22" off the ground when planting. This must be measured when the planter is in the field. If measured on the shop floor and the planter sinks into the soil, the tool bar height could be 2" - 3" lower.



3. LEVEL PARALLEL LINKAGE —

The parallel linkage does not have to be level. The only reason you would want the linkage level is to provide the same distance of travel for the row unit to move up and down.

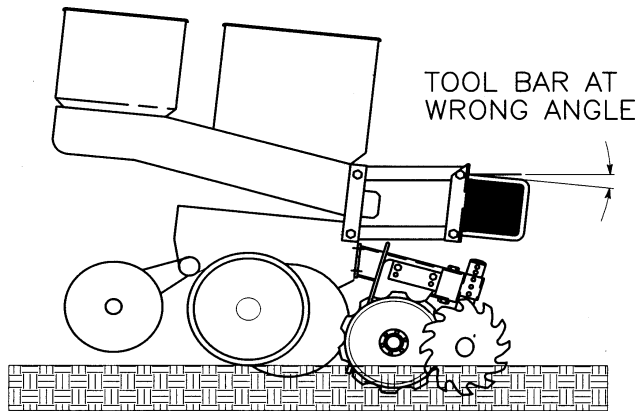
When the linkage is slightly higher in front than in the rear, the row unit will actually run better with less bounce. You will have greater up travel and less down travel of the row unit.

The key issue is tool bar levelness.



PLANTER TOOLBAR ADJUSTMENTS ARE IMPORTANT WHEN MOUNTING ATTACHMENTS TO THE ROW UNITS

INCORRECT ADJUSTMENTS AND THE PROBLEMS THAT RESULT



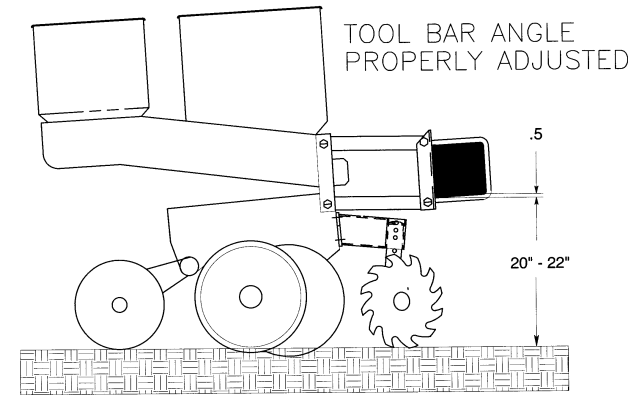
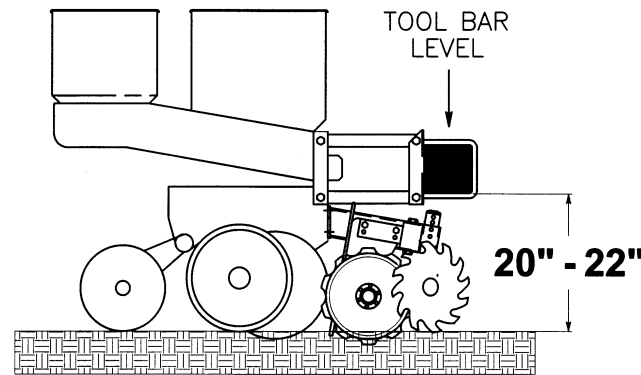
- TOOL BAR AND ROW UNIT AT WRONG ANGLE (LOWER IN FRONT) CAUSES ROW UNIT TO NOSE DIVE AND NUTRI-MATE & SABER TOOTH TO RUN TOO DEEP AND AT THE WRONG ANGLE.

CORRECT ADJUSTMENTS FOR PROPER PLANTER AND ATTACHMENT OPERATION

TOOL BAR LEVELNESS

FOR PROPER PLANTER OPERATION:

- TOOL BAR SHOULD BE LEVEL TO 1/2" (MAXIMUM) HIGHER IN THE FRONT THAN IN THE REAR.
- FOR BEST RESULTS, PLANTER SETTINGS SHOULD BE MADE IN THE FIELD USING A BUBBLE LEVEL ON TOOLBAR



NUTRI-MATE & SABER TOOTH WILL OPERATE PROPERLY

BOTH DIAGRAMS SHOW PROPER TOOL BAR LEVELNESS AND PROPER TOOL BAR HEIGHT.

NOTE: PARALLEL LINKAGE DOES NOT HAVE TO BE LEVEL