

FIG. 1

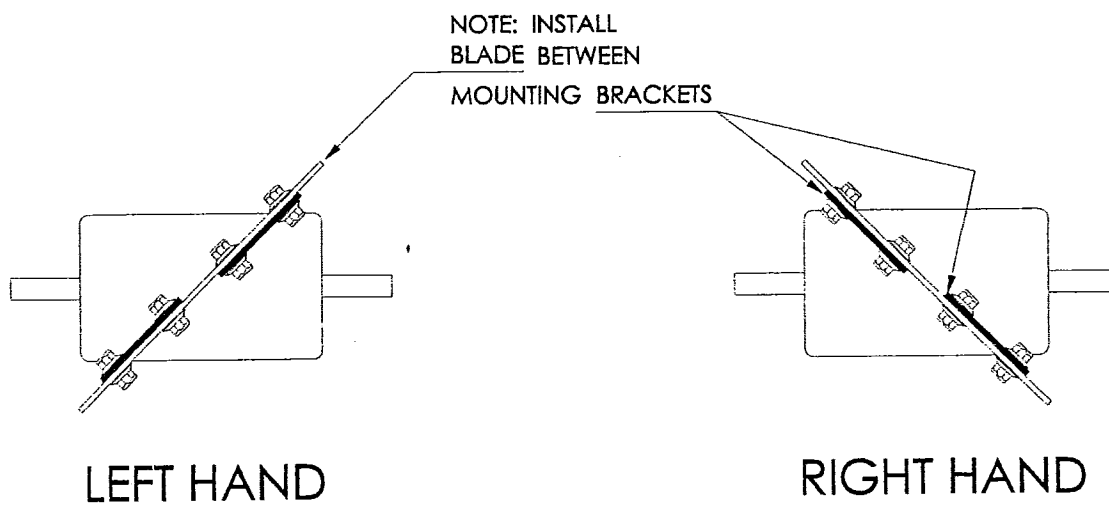


FIG. 3

## PROP INSTALLATION INSTRUCTIONS

1. Before you attach the blades to the drum, place the mounting bracket on the ripper shank. (Fig. 1)
2. Before tightening the bolts, determine the proper location of the mounting bracket on the ripper shank: A good starting point is placing the bottom of the mounting bracket about 5" above the soil surface when the implement is at working depth. (Fig 1) Tighten the bolts.
3. Remove the locking pin from the front center of the frame (this is the lower transport position) and store in the tube on the left front side of the frame. \*\*
4. Mount the three blades on the drum. (Fig 3) **CAUTION: Always use handles when lifting frame!**

*NOTE: The PROPS are built with right hand and left hand blades to minimize side draft on the implement.*

5. For proper field operation of the **PROP**, the final adjustment of the mounting bracket should be done in the field with the implement at the desired working depth. To make the deepest, most pronounced pockets, the rear of the frame should be about 1" - 2" above the soil surface. The front of the frame should be slightly higher. (Fig 1)

*\*\*The locking pin is to be used when transporting the implement or when you don't wish to have the **PROP** operating in the field. When this pin is in the lower transport position the **PROP** will not move up or down and will be prevented from turning. Use this position when mounted on a folding toolbar.*

*The pin can also be placed in the transport tube with the center angle of the frame resting on the pin. This provides greater height but should not be used when folding the toolbar.*