



**Farm Equipment**  
*Turning Design into Quality Products*



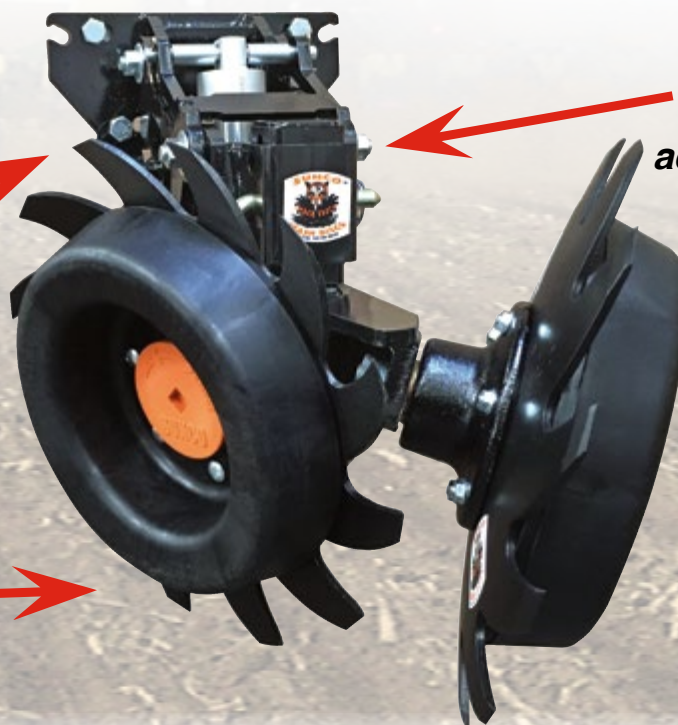
## **Sunco Floating Saber Tooth Trash Discs**


**Your Planter has parallel linkage so why don't your row cleaners?**

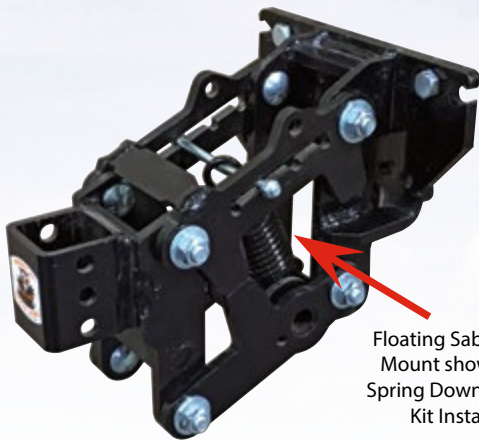
**Floating Parallel linkage arms maintain optimal cleaning at any height**

**Polymer Depth Bands create flotation in soft soil conditions and minimize soil buildup in wet conditions**

**Adjustable stem allows you to adjust to different soil conditions or farming practice**



- **All the same field proven advantages of the original Sunco Saber Tooth: Disc Concavity, Exclusive Tooth Design, and Disc Separation**
- **Removes residue from the seedbed that can cause seed germination and emergence problems or disease and damage to young seedlings**
- **Floating parallel arms allow the Floating Saber Tooth to follow the contours of the field consistently clearing residue**
- **Industry exclusive parallel linkage design allows for optimal performance at any location of travel**
- **Can be used in conjunction with the  Precision Planting® CleanSweep® system (not included) which allows for quick and effortless in cab adjustment of row cleaner down pressure**



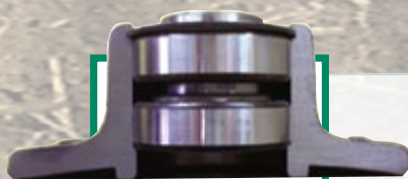
Floating Saber Tooth Mount shown with Spring Down Pressure Kit Installed.

➤ **Optional Spring Down Pressure Kit features built in spring adjustment tensioner with 4 adjustment levels**



➤ **Sunco's original swept back tooth design eliminates hair pinning of residue, moves and releases trash as the discs rotate - preventing wrapping**

➤ **Offset disc design prevents competition for trash that leads to plugging plus it also allows for disc overlapping to ensure residue is removed from entire seedbed**



**Heavy Duty  
Cast Hubs  
With 2 Triple  
Seal  
Bearings**

### Specifications

Discs - Concave 13" with swept back teeth  
Hub - Heavy Duty Cast, 6 bolt  
Bearings - 2 High Quality Triple Seal  
Adjustment - Floating with Pin Type in 1/4" Increments  
Materials:  
Mount - High Quality Grade 50 Steel  
Depth Band Material - High Wear Glass Filled Nylon Polymer  
Weight:  
Disc & Stem Assembly - 28 lbs.  
Floating Mount Bracket - 24 lbs.  
Distance From Faceplate: 23"



*Turning Design Into Quality Products*

**Sunco Marketing**  
[www.suncomarketing.com](http://www.suncomarketing.com)

P.O. Box 2036  
North Platte, NE 69103  
(308) 532-2146

See Your Local Sunco Trash Disc Dealer