



Farm Equipment
Turning Design into Quality Products



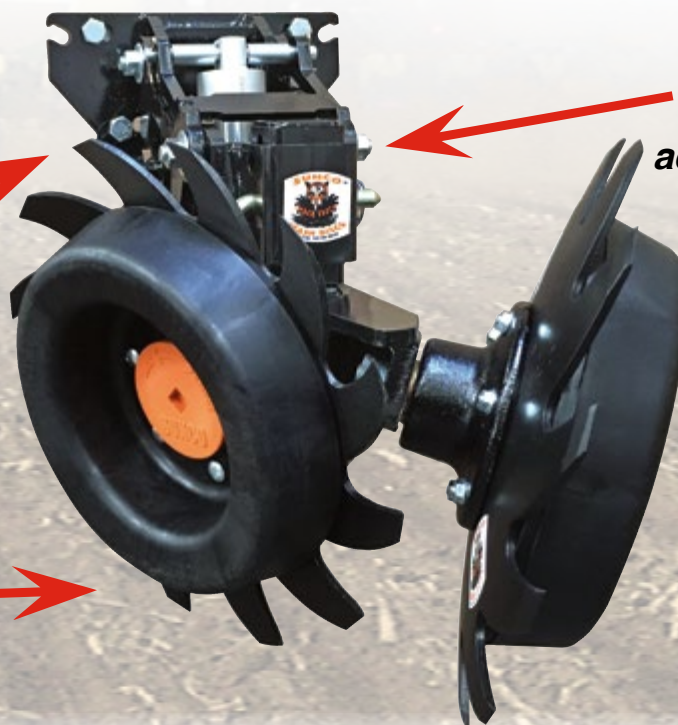
Sunco Floating Saber Tooth Trash Discs


Your Planter has parallel linkage so why don't your row cleaners?

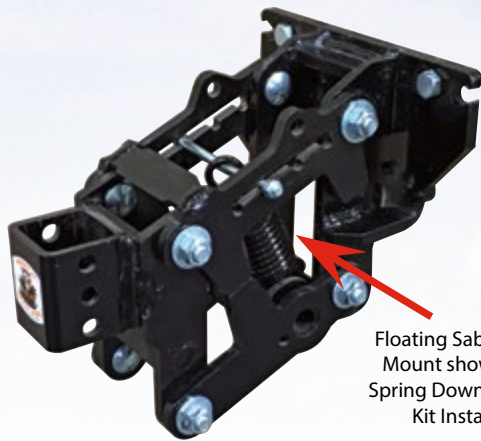
Floating Parallel linkage arms maintain optimal cleaning at any height

Polymer Depth Bands create flotation in soft soil conditions and minimize soil buildup in wet conditions

Adjustable stem allows you to adjust to different soil conditions or farming practice



- **All the same field proven advantages of the original Sunco Saber Tooth: Disc Concavity, Exclusive Tooth Design, and Disc Separation**
- **Removes residue from the seedbed that can cause seed germination and emergence problems or disease and damage to young seedlings**
- **Floating parallel arms allow the Floating Saber Tooth to follow the contours of the field consistently clearing residue**
- **Industry exclusive parallel linkage design allows for optimal performance at any location of travel**
- **Can be used in conjunction with the  Precision Planting® CleanSweep® system (not included) which allows for quick and effortless in cab adjustment of row cleaner down pressure**



Floating Saber Tooth Mount shown with Spring Down Pressure Kit Installed.

➤ **Optional Spring Down Pressure Kit features built in spring adjustment tensioner with 4 adjustment levels**



➤ **Sunco's original swept back tooth design eliminates hair pinning of residue, moves and releases trash as the discs rotate - preventing wrapping**

➤ **Offset disc design prevents competition for trash that leads to plugging plus it also allows for disc overlapping to ensure residue is removed from entire seedbed**



**Heavy Duty
Cast Hubs
With 2 Triple
Seal
Bearings**

Specifications

Discs - Concave 13" with swept back teeth
Hub - Heavy Duty Cast, 6 bolt
Bearings - 2 High Quality Triple Seal
Adjustment - Floating with Pin Type in 1/4" Increments
Materials:
Mount - High Quality Grade 50 Steel
Depth Band Material - High Wear Glass Filled Nylon Polymer
Weight:
Disc & Stem Assembly - 28 lbs.
Floating Mount Bracket - 24 lbs.
Distance From Faceplate: 23"



Turning Design Into Quality Products

Sunco Marketing
www.suncomarketing.com

P.O. Box 2036
North Platte, NE 69103
(308) 532-2146

See Your Local Sunco Trash Disc Dealer