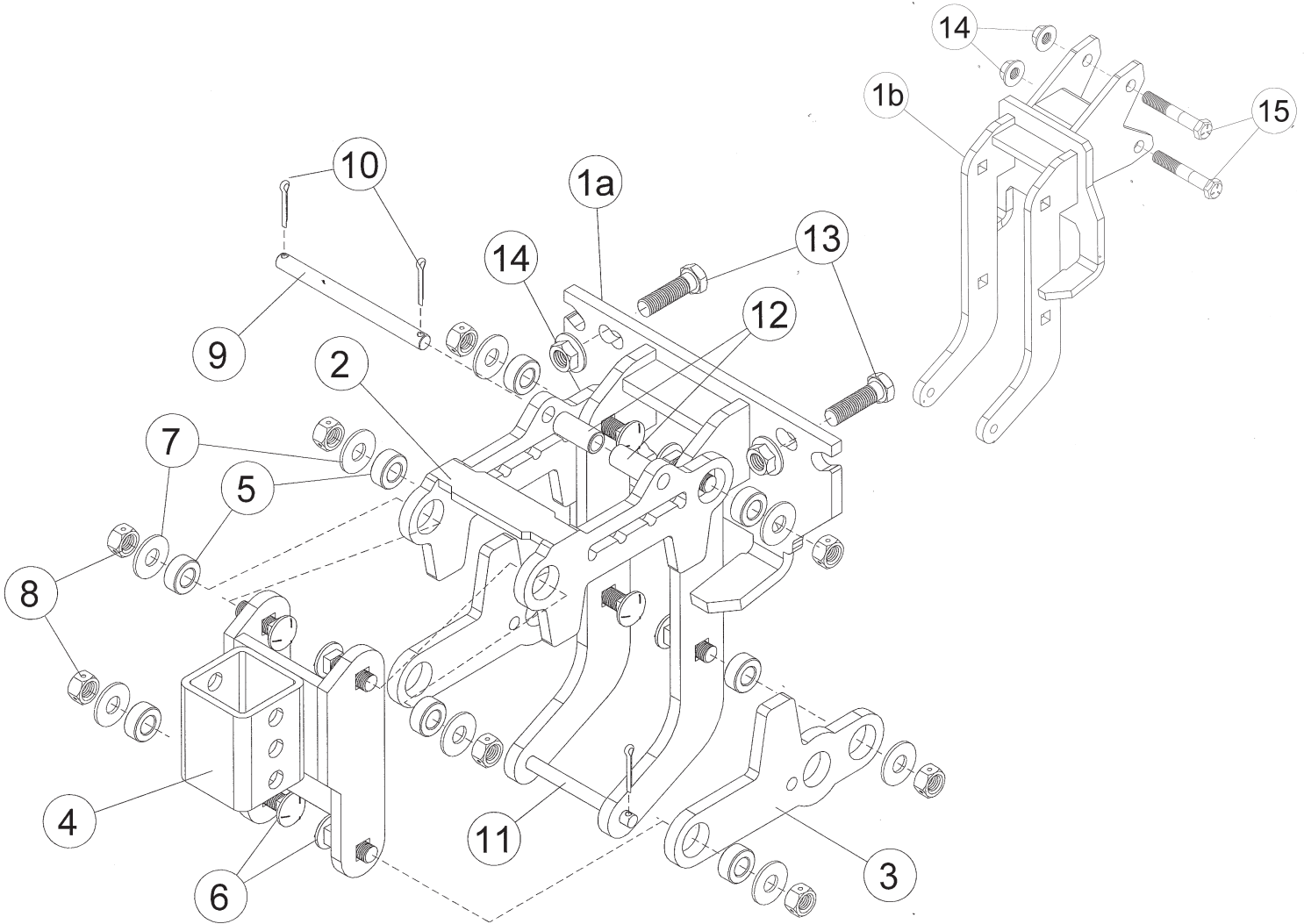


**470231 (UNIVERSAL) & 470232 (CIH)
LINKAGE ASSEMBLY
FLOATING SABER TOOTH - 4 ARM**



ITEM	JPART #	DESCRIPTION	QTY
1a	460202	Mount - P/F Universal	1
1b	460202H	Mount - P/F CIH	1
2	460204	Link Arm Wldmt Upper	1
3	360056	Link Arm Lower	2
4	460203	Receiver Tube Wldmt	1
5	380112	Bushing 1 OD x .515 ID x .425	8
6	200321	Carriage Bolt 1/2-13 x 1 1/2 Gr. 5	8
7	202214	Washer 7/16 Flat	8
8	201117	Nut 1/2-13 Hex Center Lock	8
9	203765	Pin 7/16 x 5.375	1
10	203480	Pin Cotter 9/64 x 1	3
11	203756	Pin Clevis 3/8 x 4.3	1
12	360058	Spacer .625 x .459 x 1.53	2
13	200324	HHCS 1/2-13 x 1 3/4 Gr. 5	4
14	201119	Nut 1/2-13 Hex Flange Locking	4 (2 for CIH)
15	200340	HHCS 1/2-13 x 3a1/2 Gr. 5	2