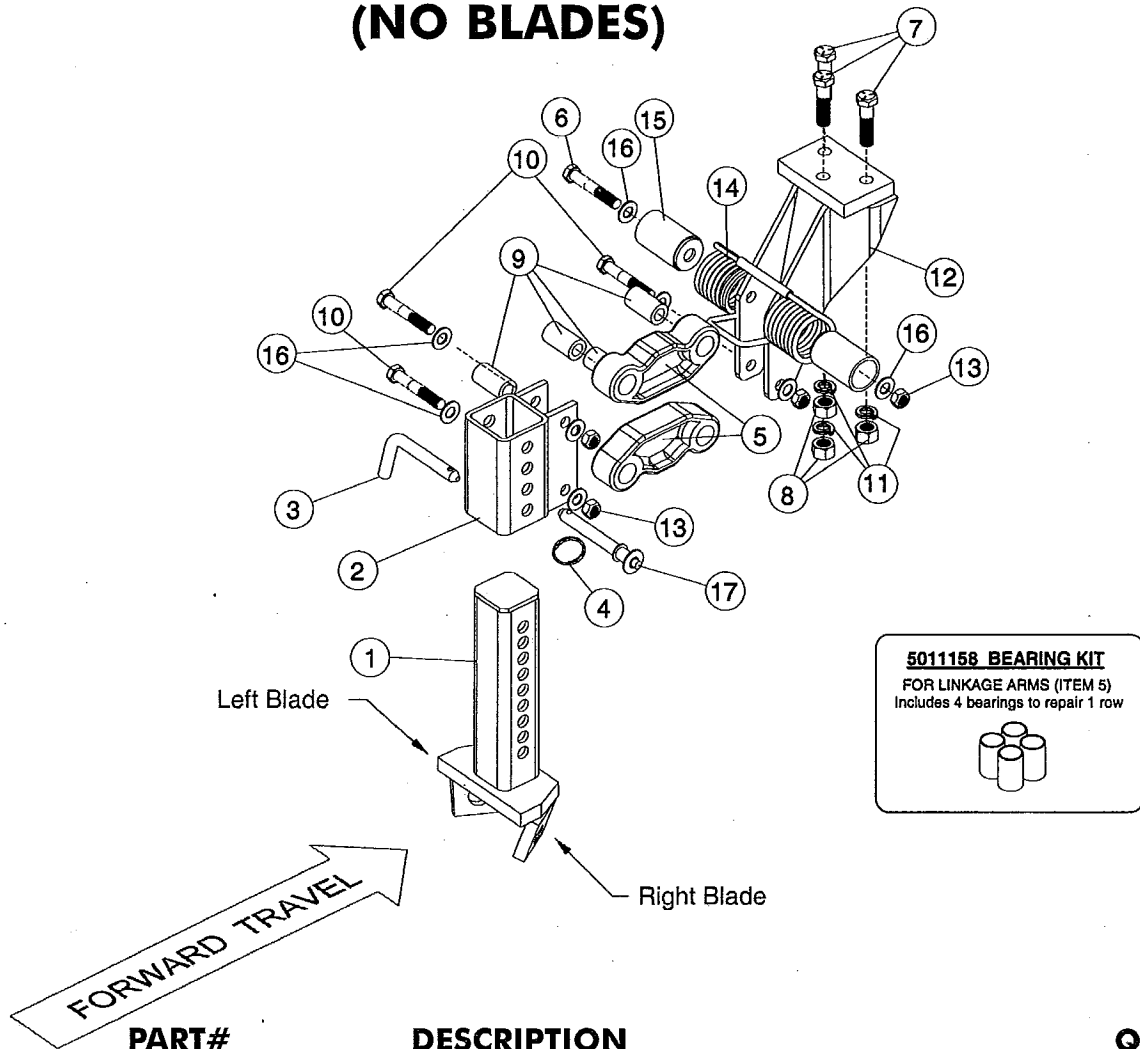


# 5011179

## KIT - SABER TOOTH - HD BEARINGS - TORSION SPRING (NO BLADES)



**5011158 BEARING KIT**  
 FOR LINKAGE ARMS (ITEM 5)  
 Includes 4 bearings to repair 1 row  


<u>ITEM</u>	<u>PART#</u>	<u>DESCRIPTION</u>	<u>QTY</u>
1	470131	STEM - PARALINK DMI SABER TOOTH	1
2	470167	RECEIVER TUBE - 4 1/2 X 4 HOLES	1
3	360202(optional)	PIN BENT 1/2 X 2.75 PLATED	1
4	203141(optional)	RING - KICKOUT 1.25 X .080	1
5	470251	CASTING LINK ARM	2
6	200344	HHCS 1/2-20 X 3 1/4 GR. 8	1
7	200335	HHCS 1/2 X 2 GR. 5 PLATED	3
8	201116	NUT 1/2-13 HEX PLATED	3
9	210062	BUSHING .88 OD X .53 ID X 1.61	4
10	200341	HHCS 1/2-20 X 3 GR. 8	3
11	202116	WASHER 1/2 SPLIT LOCK	3
12	470141	FRAME MOUNT - HVY PARALINK DMI S/T	1
13	201130	NUT 1/2-20 HEX TOP LOCK	4
14	204305	SPRING - DOUBLE TORSION	1
15	360030	SUPPORT - TORSION SPRING	2
16	202217	WASHER 1/2 SAE HARDENED	8
17	360203	PIN - QUICK ADJUST PIN	1

- 470202      KIT - TORSION SPRING RETROFIT - (ITEMS 6, 13, 14, 15 & 16)
- 5011158    KIT - BEARING REPLACEMENT FOR CAST LINK ARMS
- 470208      KIT - CAST LINK REPLACEMENT