

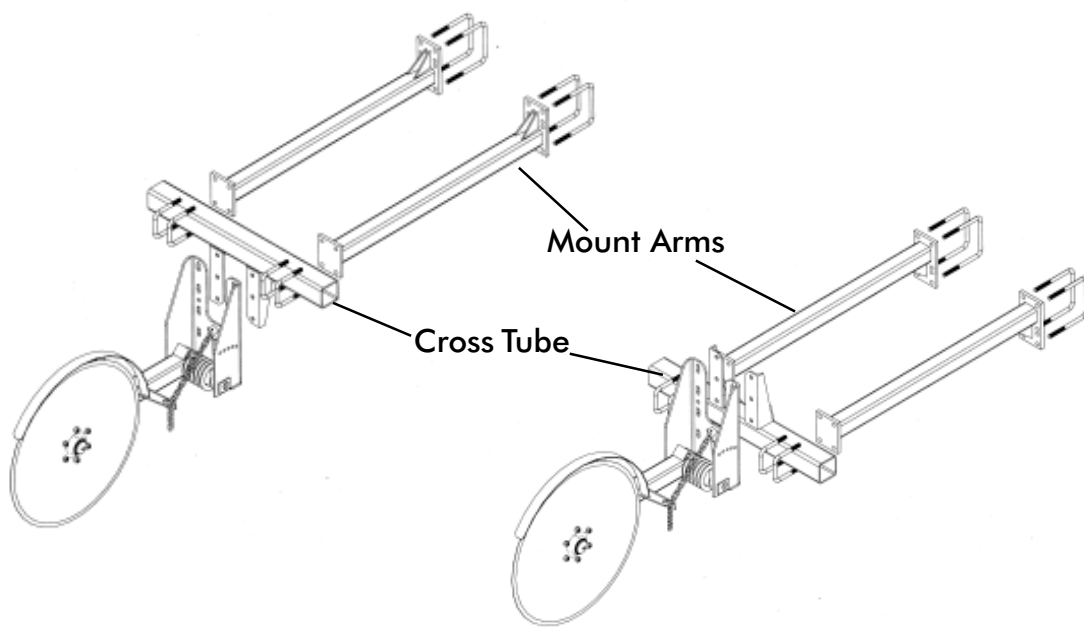
To determine what you need for mounting the stabilizer to a toolbar several things need to be considered.

1. Will the Stabilizer be operating **behind** the row units? i.e. cultivators.
  - a. How far does the row unit extend behind the toolbar - to determine the length of the mount arms
  - b. Dimensions of the toolbar i.e. 7 x 7, 5 x 7, etc. - to determine which bolt package
  - c. Row width - to determine the length of the cross tube
2. Will the Stabilizer be operating **between** the row units? i.e. planters and bedders.
  - a. Can the Stabilizer be bolted directly to the toolbar? Dimensions of the toolbar i.e. 7 x 7, 5 x 7, etc. - order proper U-bolts
  - b. Does something interfere with bolting directly to the toolbar? i.e. driveshaft on some planters - order planter mount arm (includes hardware)
3. How many Stabilizers are required for the implement?  
Rule of thumb - 1 Stabilizer per 15' to 20' of toolbar length

There are exceptions to this rule. Heavy implements such as potato planters may require 1 Stabilizer per 2 rows. Also bedders operating in very firm soil may require 1 Stabilizer per 10' to 12' of toolbar length.

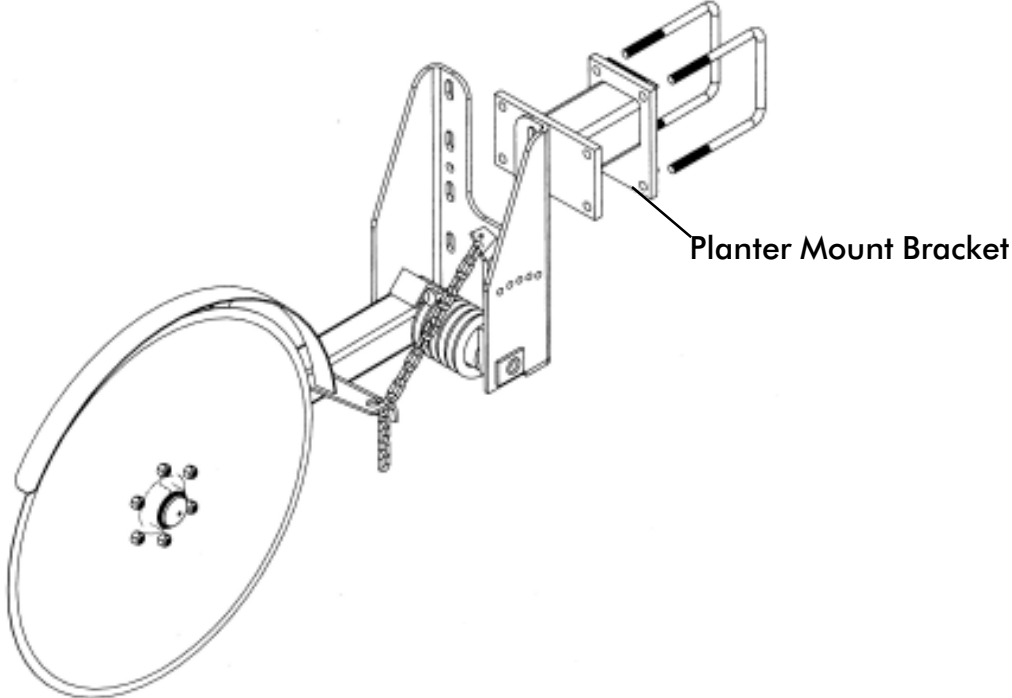
Soil type and terrain also must be considered - light soils - steeper slopes - require more stabilization

## **MOUNTING STABILIZER BEHIND ROW UNITS**

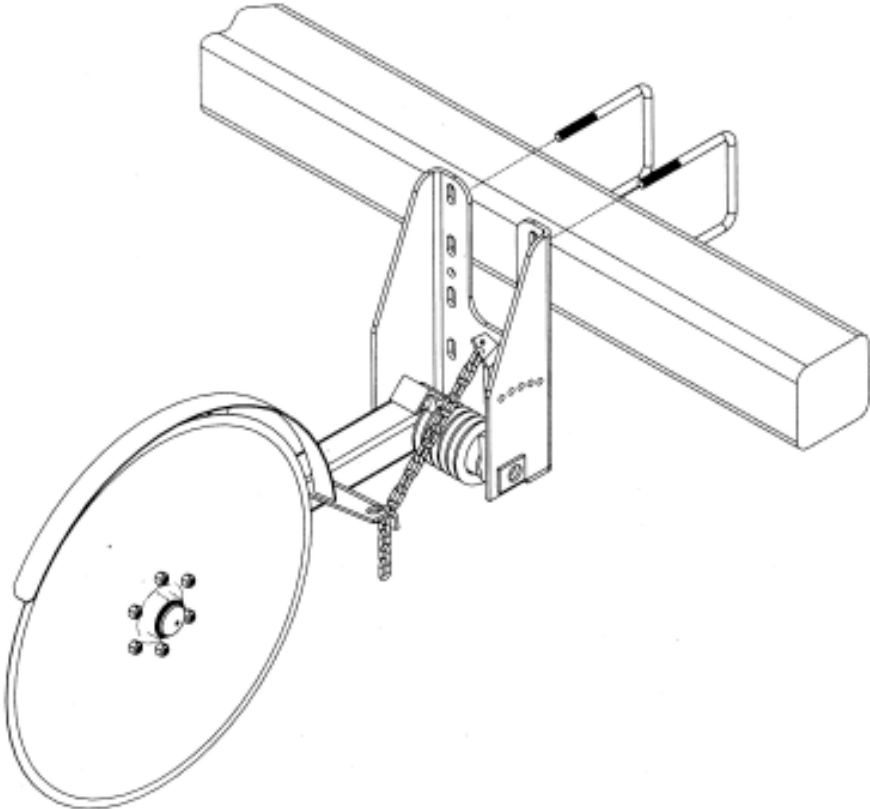


**\*\*\* NOTE:** Mount Arms and Cross Tube can be mounted different ways to adjust for toolbar height.

**MOUNTING STABILIZER BETWEEN ROW UNITS**



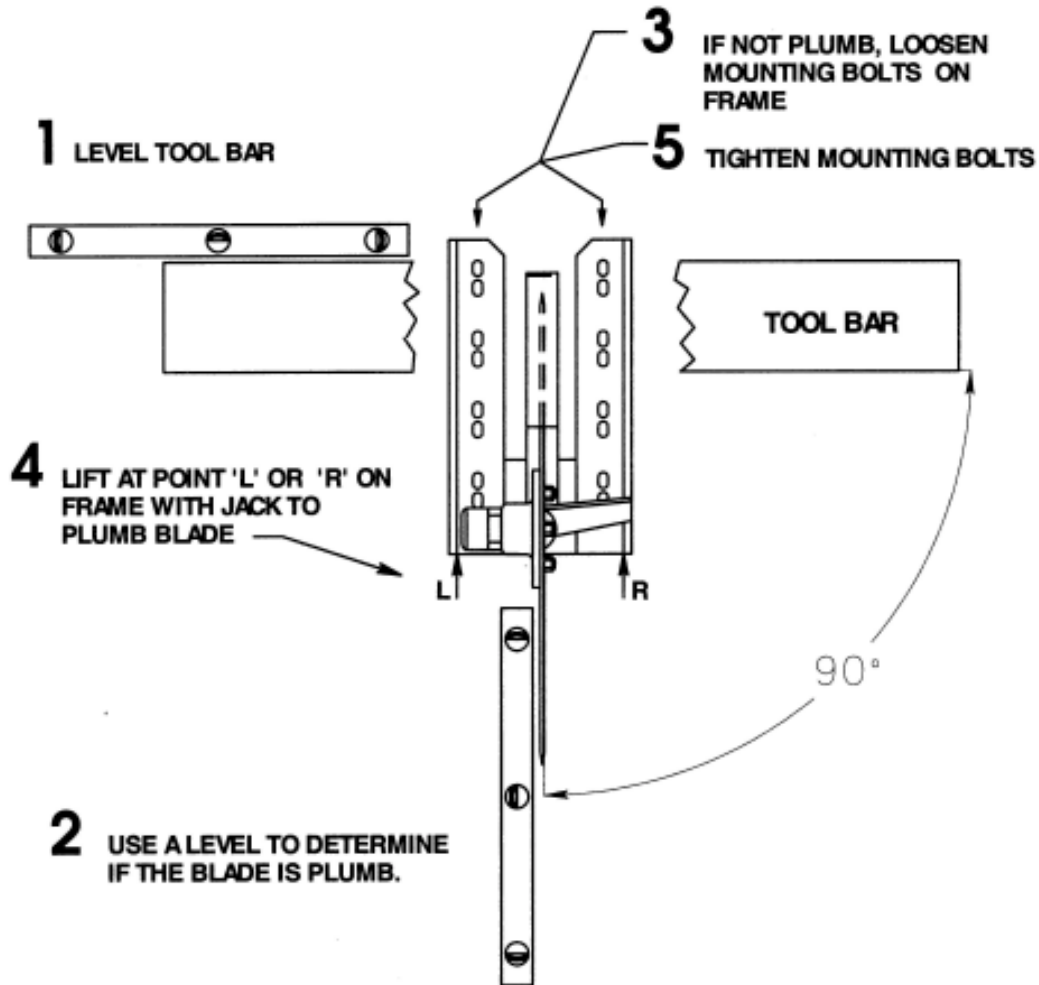
Mounting to toolbar using planter mount bracket



Mounting directly to toolbar. Slotted holes will accomodate 4", 5", 6" or 7" toolbars.

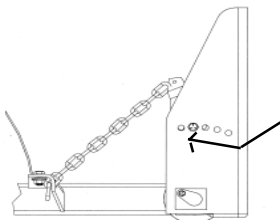
# MOUNTING INSTRUCTIONS FOR THE SUNCO STABILIZER

THE STABILIZER MUST BE INSTALLED SO THAT THE STABILIZER BLADE IS PERPENDICULAR (90°) TO THE TOOL BAR



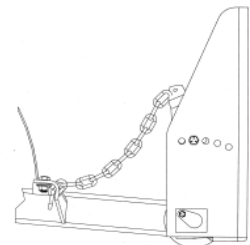
Before performing adjustments, lift implement so blade is off ground

## POST MOUNTING DEPTH ADJUSTMENT



1. Leave chain hooked.
2. Remove bolt.
3. Rotate arm with chain in direction of arrow to set deeper.
4. Replace bolt & tighten securely.

Proper Stabilizer depth is achieved when chain is showing some slack with the implement at working depth in the field.



## STABILIZERS AND STABILIZER OPTIONS



601363/601364

### **601363 SUNCO STABILIZER ASSEMBLY (less mount brackets and no mounting hardware)**

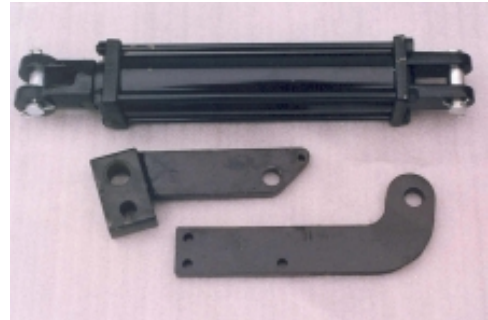
Coil spring protection with 28" blade  
and heavy duty 6 bolt hub.

### **601364 SUNCO STABILIZER ASSEMBLY (less mount brackets and no mounting hardware)**

Same as #601363, except supplied with 29" blade instead of 28".

### **660120 SUNCO STABILIZER HYDRAULIC LIFT KIT**

Includes cylinder, brackets and hardware.  
No hoses.



660120



**OPTIONAL EQUIPMENT (WHOLEGOODS)  
STABILIZERS AND STABILIZER OPTIONS**

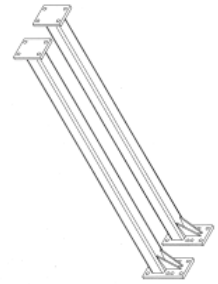


**601354**

**72" STABILIZER MOUNT ARMS**

**for 5x7, 7x7, 4x4, 4x7 tool bars**

Sets stabilizer assembly 72" from tool bar. Requires cross tube and 5/8" bolt package with order.

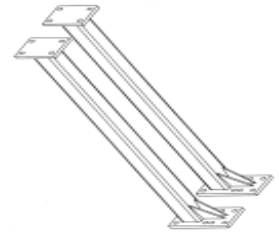


**601369**

**60" STABILIZER MOUNT ARMS**

**for 5x7, 7x7, 4x4 tool bars**

Sets stabilizer assembly 60" from tool bar. Requires cross tube and 5/8" bolt package with order.

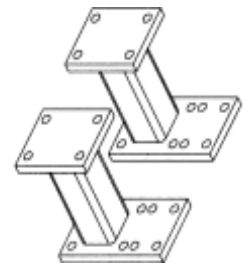


**601360**

**48" STABILIZER MOUNT ARMS**

**for 5x7, 7x7, 4x4, 4x7 tool bars**

Sets stabilizer assembly 48" from tool bar. Requires cross tube and 5/8" bolt package with order.



**601359**

**24" STABILIZER MOUNT ARMS**

**for 4x4, 4x7 tool bars**

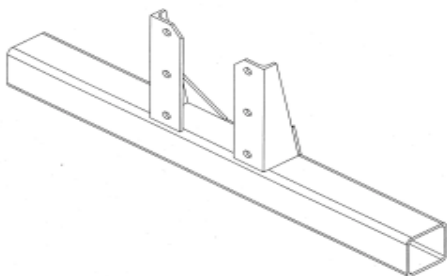
Sets stabilizer assembly 24" from tool bar. Requires cross tube and 5/8" bolt package with order.

**601365**

**8" STABILIZER MOUNT ARMS**

**for 7x7, 4x4, 4x7 tool bars**

Sets stabilizer assembly 8" from tool bar. Requires cross tube and 5/8" bolt package with order.



**601561**

**40" CROSS TUBE**

Adapts Arms to most cultivators, bedders, etc. (Order 1 with Stabilizer Arms 601354, 601369, 601360, 601359, 601365)

**601562**

**66" CROSS TUBE**

Adapts Arms to most cultivators, bedders, etc. (Order 1 with Stabilizer Arms 601354, 601369, 601360, 601359, 601365)



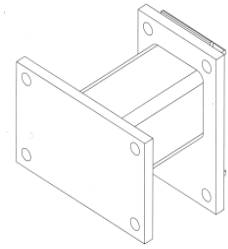
## OPTIONAL EQUIPMENT (WHOLEGOODS)

### STABILIZERS AND STABILIZER OPTIONS

#### 601366

#### PLANTER STABILIZER MOUNT BRACKETS

Bracket mounts on planter 7x7 tool bar, allows for mounting stabilizer between planter row units for planter stabilization. Includes hardware.



#### BOLT PACKAGES

(Order with Stabilizer Arms 601354, 601369, 601360, 601359, 601365)

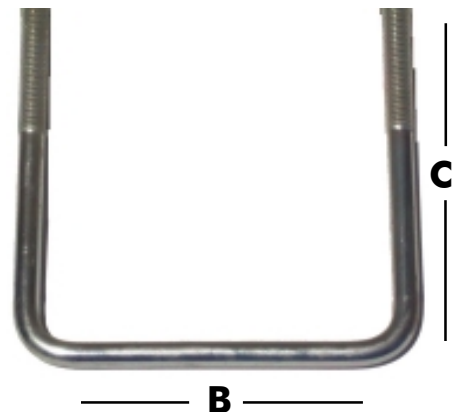
Includes U-bolts and hardware for Mount Arms and Cross Tube

450106	5/8" U-Bolts for 5x7 tool bars
450107	5/8" U-bolts for 4x4 tool bars
450108	5/8" U-Bolts for 4x7 tool bars
450109	5/8" U-Bolts for 7x7, 7x5 tool bars

#### U-BOLTS

-A-

	A	B	C	
204275	5/8 x 4 x	5 1/2	(for 4x4 bar)	
204276	5/8 x 4 x	8 1/2	(for 4x7 flat bar)	
204296	5/8 x 6 x	5 1/2	(for 4x6 bar)	
204277	5/8 x 5 x	8 1/2	(for 5x7 flat bar)	
204278	5/8 x 7 x	8 1/2	(for 7x7 bar)	





Turning Design Into Quality Products

## **SUNCO MARKETING**

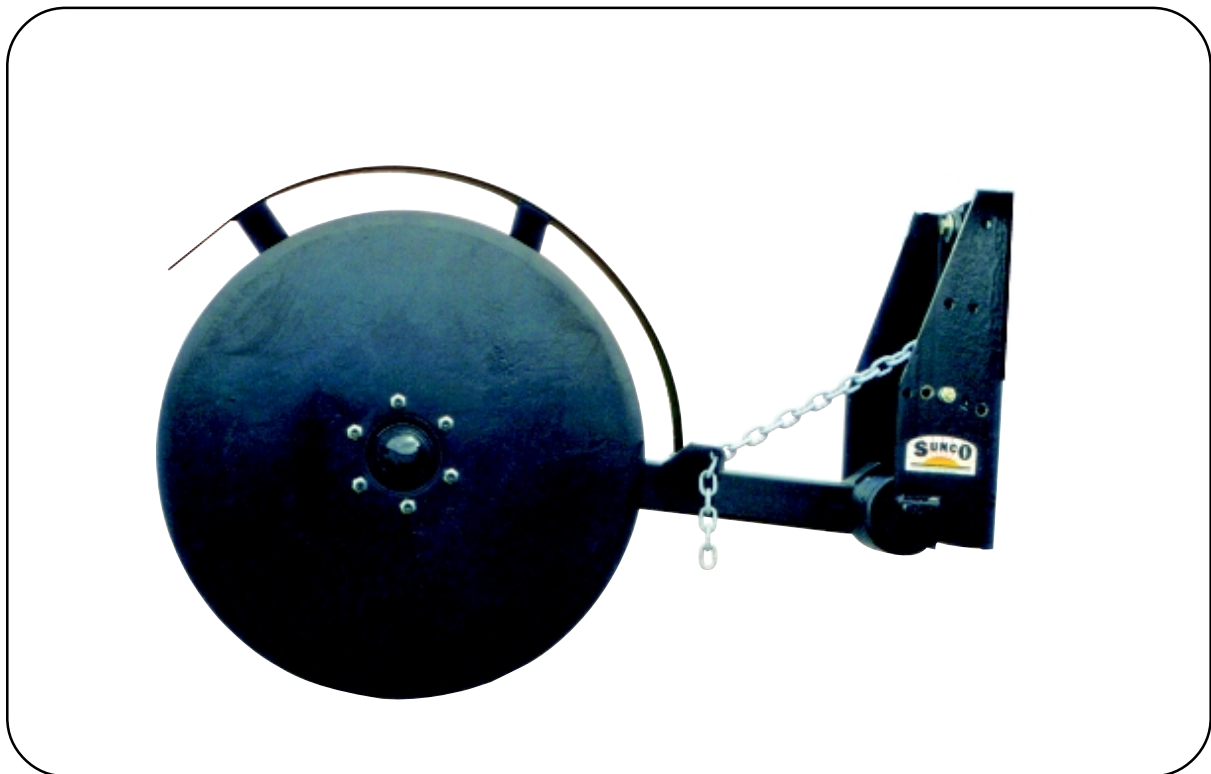
P. O. Box 2036  
North Platte, NE 69101  
(308) 532-2146  
Fax: (308) 534-0938

**PART #250019**

# *SUNCO IMPLEMENT STABILIZER*

## **OPERATOR'S MANUAL**

**WITH INSTALLATION INSTRUCTIONS**



Turning Design Into Quality